



©2005-08 Procson New Generation Pulpits. Designed and made with care in Australia. Specifications subject to change without notice

Arc Pulpit

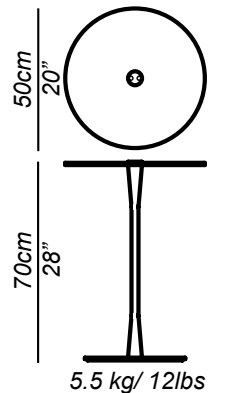
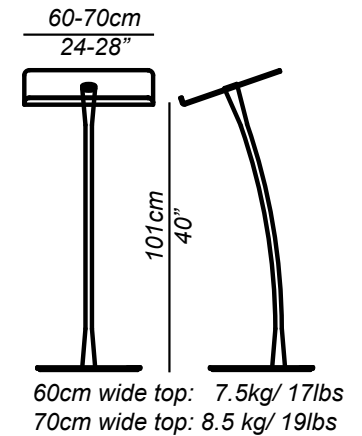
The new arc pulpit is 12% lighter. At 19 pounds for the larger 28" version, this makes it lighter than other church podiums. Many stage managers will be able to carry it with one arm. This has helped to make it Australia's best selling modern church lectern. Other features have helped its popularity. For a start it is so minimal, that the congregation is able to concentrate fully on the speaker. Secondly, its brushed stainless steel and sleek lines make it stylish and modern looking. This has made it the choice for the three major churches in Australia, as well as churches from 25 to 18,000 people in the USA, NZ, Canada, Korea, UK and Singapore, Brunei, Japan, Germany, Holland, South America and Uganda. It is seen on TV in Australia's Hillsong and other well known churches. For TV or video filming, an anti reflective film can be factory applied to the perspex to eliminate glare. The wide top (70cm/ 28") is the most popular, however either size will fit easily into a car.

60cm (24") wide	please see website for prices
70cm (28") wide	please see website for prices
Anti reflective film: add	please see website for prices
Freight to USA	please see website for prices

Arc Table

Most churches that purchase the arc lectern also purchase this table. Can be used for a water glass, jug, laptop computer & other resources. 70cm (28") high so items are within easy reach for the preacher. Made from stainless steel with a clear perspex top.

Ordered alone	please see website for prices
Ordered with Arc lectern	please see website for prices
Anti reflective film: add	please see website for prices
Freight to USA	please see website for prices



It is very easy to move for one person' - Shirley Drost Helps Director Koinonia Christian Fellowship, Canada

'We are a church that has a heart to reach the next generation, and it is important for us to reflect that in everything we do including our stage design and props. In the arc pulpit, we have found a pulpit that's both cool and functional. We are thrilled and excited!' -Ps Michael Norwood, The Life Church of Memphis, TN, USA

'We received our podium today...we love it!. Please send us another two' -Lance Gross, City Bible Church, NE Fremont, Portland, OR, USA

'I was in the midst of getting some designs done up for a modern, contemporary pulpit, and my search ended when I stumbled upon Proscos website. I was completely taken in by what I thought was the coolest pulpit ever! The design is simple, yet modern and contemporary, somewhat like the Philip Stark of pulpits! I absolutely love it (as well as my members), and it is wide enough to hold my bible and all my notes while preaching. I will recommend the purchase of this pulpit from Proscos, as the service before and after sales has been excellent, and the price paid for the quality and workmanship rendered has made this pulpit value for money'

-Ps Simon Ang Moriah Assembly of God, Singapore

'We do love our new pulpit! It suits our needs perfectly, and it has proven very functional for both adults and children to use. We had some children read scripture on Christmas Day, and having the plexiglass pulpit worked well. What we had used previously would have dwarfed them. It is very easy to move for one person, making our entire stage more functional. Shipping the product from Australia was quick and without any issue. When a new part needed to be replaced, you handled it quickly, and we had our new piece in a very short time, with no problems. Around the world does seem like next door nowadays! Thanks again for serving us so quickly and with such care. We are delighted with our new pulpit and table, and would recommend it to anyone!'

- Shirley Drost Helps Director Koinonia Christian Fellowship, Canada

'I'm Seungkwon in Manna Methodist Church. Today we got the most beautiful products in the world from you. As soon as I got it I asked one guy who works in our church as an engineer to assemble them. And in just 5 minutes he made it. All the church members were full of admiration of their simple but beautiful shapes when they saw them. I really want to thank you for making and sending such a beautiful pulpit and table. Each one will be one of our church's specialties to every visitors. Actually every year many people visit our church and see our various kinds of worship services. From now on your beautiful products will be introduced to all of them with pride... Thank you again, God bless you.'

-Seung Kwon, Manna Methodist Church, Kyungki-Do, Korea

'Everyone thinks it looks great...and it exceeded expectations. Thanks for all your help!' -Andrew Jenkins, Newport Gate Church, Newport, South Wales, UK

